

# TDJ-3500SP6

## Die Cast Grid Antenna

### Technical Sheet



#### Applications

- 3.5GHz Wireless LAN Systems
- 3.5GHz WiMax
- Long-Range Directional Applications
- Wireless Bridges

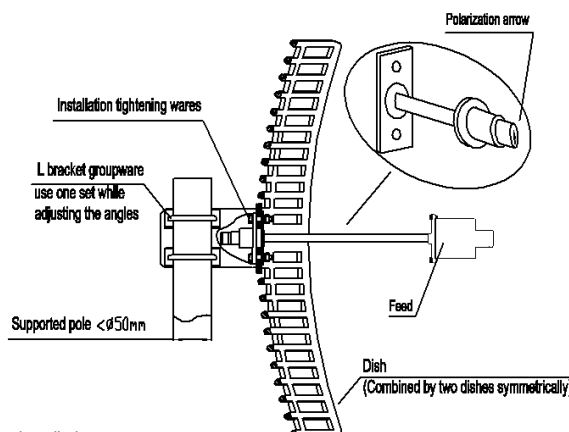
#### Features

- Superior Performance
- Vertical or Horizontal Operation
- All Weather Operation
- Easy to Assemble

#### Specifications

Model	TDJ-3500SP6
Freq. Range-MHz	3400~3600
Bandwidth-MHz	200
Gain-dBi	23
Beamwidth-°	E:9.5 H:9.5
F/B Ratio-dB	≥30
VSWR	≤1.5
Impedance-Ω	50
Polarization	Vertical or Horizontal
Max. Power-W	100
Connector Type	N Female
Dimension-m	0.6×0.6
Weight-Kg	2.0
Pole Diameter-mm	φ 40~50

#### Install Sketch



#### Installation ways:

1. Combine two dishes symmetrically to compose a parabolic groupware.
2. Install the feed to the dish as per the sketch, ensure that the direction of the "polarization arrow" on the feed is the same with the direction of the grid. When the direction of the arrow and the grid are both vertical with the ground, the antenna is in vertical polarization state. When the direction of the arrow and the grid are both horizontal with the ground, the antenna is in horizontal polarization state.
3. Install the L bracket to the dish, then place the antenna to the supported pole as per the sketch.
4. Test the receiving signal by instruments, adjust the azimuth angle and the pitching angle to enlarge the receiving signal. Tighten all the nuts and seal the connector for joining the antenna and the feed.