

TDJ-3338P6x2

3.5GHz Parabolic Antenna

Technical Sheet



Specifications

Model	TDJ-3338P6x2
Freq. Range-MHz	3300-3800
Gain-dBi	23.5
Beamwidth-°	E:8.8 H:8
VSWR	≤1.5
Impedance-Ω	50
Polarization	Dual Polarization (Horizontal and Vertical)
Max. Power-W	100
Connector Type	N-Female
Dimension-m	φ 0.6
Weight-Kg	5
Pole Diameter-mm	φ 50~75

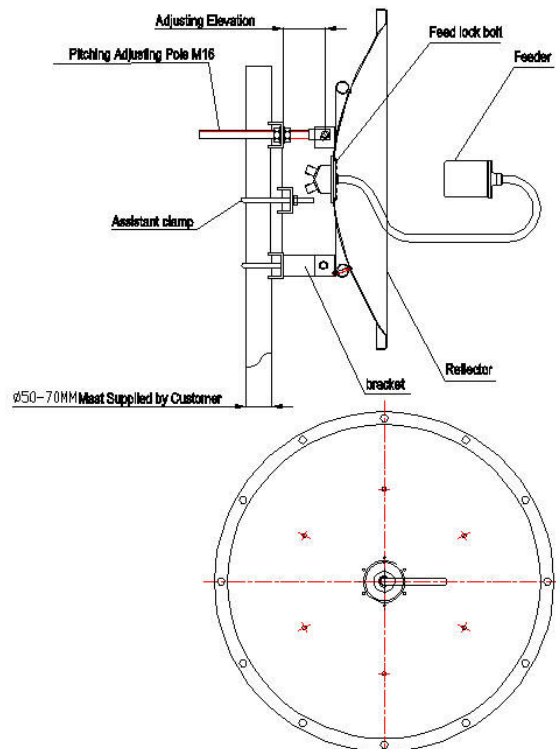
Applications

- WLAN/WiMax Applications
- Long-Range Directional Applications
- Point to Point, Point to Multi-Point Systems
- Wireless Bridges

Features

- Superior Performance
- UV Stable Light Gray Powder Coat Finish
- All Weather Operation
- Dual Polarization
- Supplied with a Tilt and Swivel Mast Mount Kit

Install Sketch



Installation:

1. Install the feeder on the reflector according to the sketch map and make sure the feed azimuth installed correctly. Marks on the dual polarized connector: H means horizontal polarization, V means vertical polarization.
2. Install the bracket to the reflector.
3. Fasten the assistant clamp on the mast. Then mount the antenna on the mast according to the sketch map.
4. Use the equipment to test the receiving signal. Adjust the antenna azimuth and pitching angle to make sure the receiving signal maximum. Fasten the screws and seal the connector which connect the antenna and cable.