

# XDJ-2400J16

## 2.4GHz Panel Antenna

### Technical Sheet



#### Applications

- 2.4GHz WLAN WIFI system
- 2.4GHz ISM Band
- Support IEEE802.11b/g
- Public Wireless Hotspot Coverage

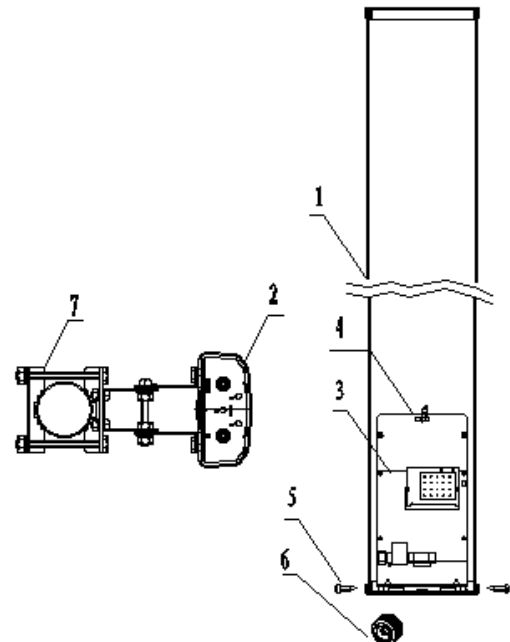
#### Features

- 120° Coverage , Low VSWR ,Light Weight
- With customer mounting plate
- With customer 703 rubber
- Integrated Router Board customization

#### Specifications

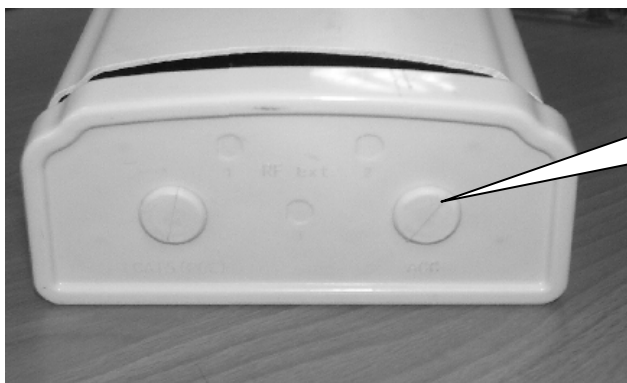
Model	XDJ-2400J16
Freq. Range-MHz	2400~2500
Gain-d Bi	16
Beamwidth-°	E:6.5 H:120
VSWR	≤1.5
Impedance-Ω	50
F/B Ratio-dB	≥25
Polarization	VP
Max.Power-W	100
Connector	MMCX-C-JW1.5 or SMA
Dimension-mm	1320×128×56
Weight-Kg	3.5
Waterproof	IP65
Pole Dia.-mm	φ 40~ φ 50

#### Installation Sketch

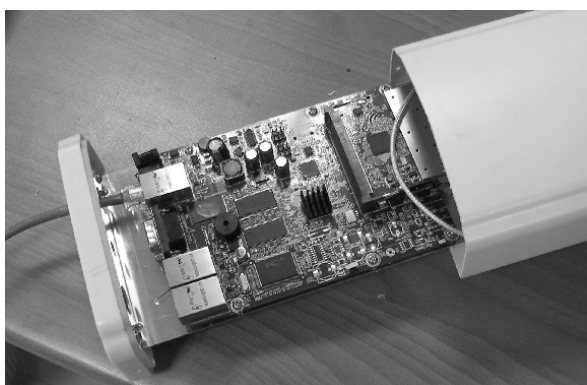
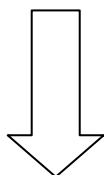


- 1、 Antenna    2、 Bottom lid    3、 Router    4、 Fixation kit  
5、 Bolts    6、 Waterproof object    7、 Bracket

## Enclosed Detail Installation File:



Firstly, please get the bottom lid out from the antenna body.



## Router Install:

1. Connect the system P-o-E coaxial cable
2. Fix the router with the bolts
3. Antenna RF connector link to the network card

## Encapsulation:

1. Waterproof the ports, and then fix it with the fixation kit and bolts
2. Seal the antenna with the 703 type rubber

