

XDJ-2400I17D

2.4GHz Panel Antenna

Technical Sheet



Applications

- 2.4GHz WLAN WIFI system
- 2.4GHz ISM Band
- Support IEEE802.11b/g
- Public Wireless Hotspot Coverage

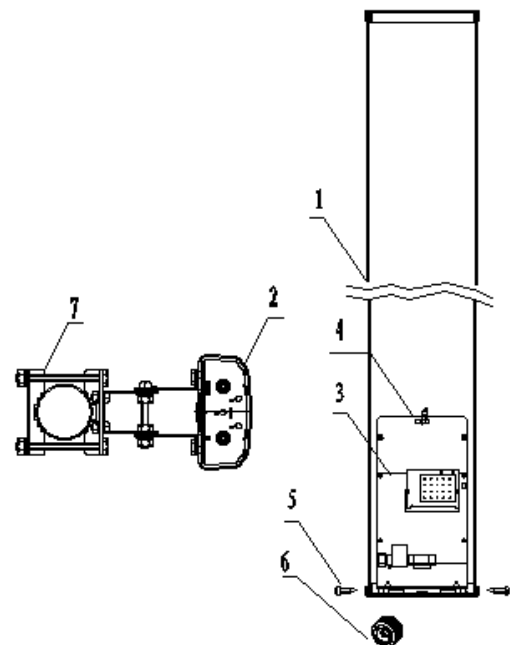
Features

- 90° Coverage , Low VSWR ,Light Weight
- With customer mounting plate
- With customer 703 rubber
- Integrated Router Board customization

Specifications

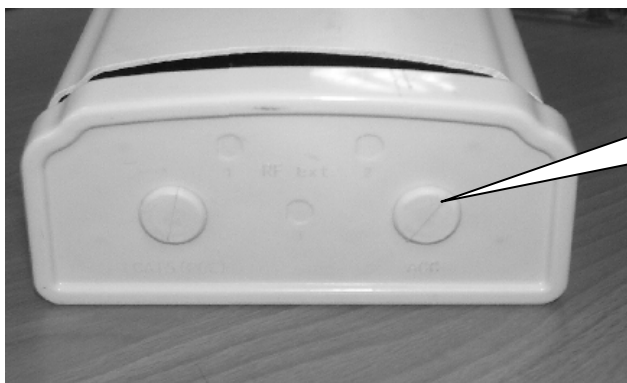
Model	XDJ-2400I17D
Freq. Range-MHz	2400~2500
Gain-d Bi	17
Beamwidth-°	E:6.5 H:90
VSWR	≤1.5
Impedance-Ω	50
F/B Ratio-dB	≥25
Polarization	VP
Max.Power-W	100
Connector	MMCX-C-JW1.5
Dimension-mm	1320×128×56
Weight-Kg	3.5
Waterproof	IP65
Pole Dia.-mm	φ 40~ φ 50

Installation Sketch

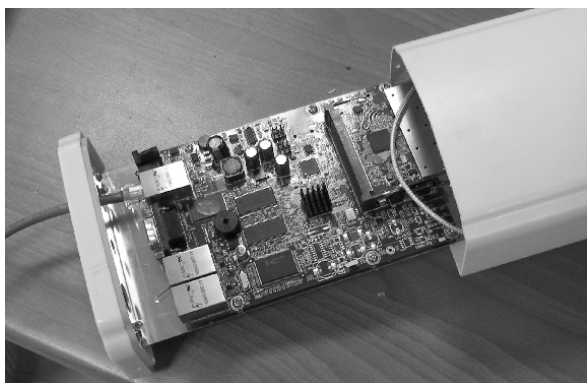
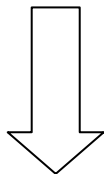


- 1、 Antenna 2、 Bottom lid 3、 Router 4、 Fixation kit
 5、 Bolts 6、 Waterproof object 7、 Bracket

Enclosed Detail Installation File:



Firstly, please get the bottom lid out from the antenna body.



Router Install:

1. Connect the system P-o-E coaxial cable
2. Fix the router with the bolts
3. Antenna RF connector link to the network card

Encapsulation:

1. Waterproof the ports, and then fix it with the fixation kit and bolts
2. Seal the antenna with the 703 type rubber

