

# TDJ-D2400BFC-H60V30

## Dual Polarization Flat Panel Antenna

### technical Sheet



### Applications

- 2.4GHz WLAN system
- 2.4GHz ISM band
- Other applications

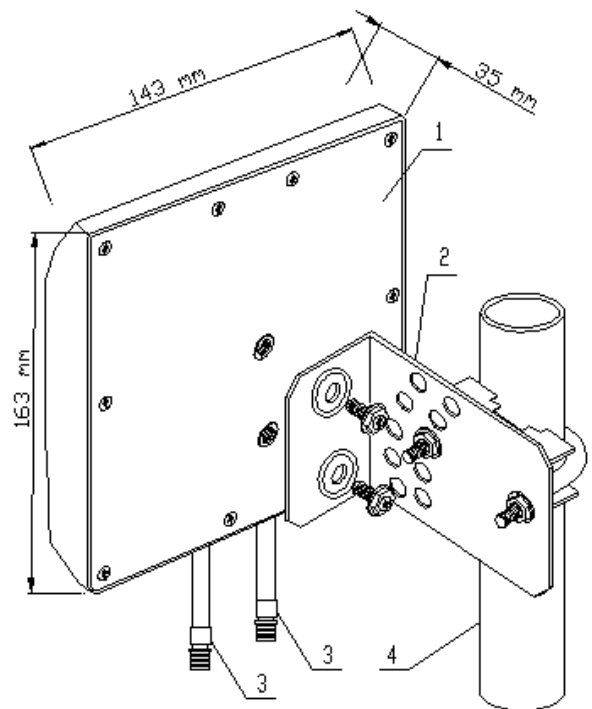
### Features

- Strong corrosion resistance
- Compact size, Good appearance
- The connector with a pigtail
- Supplied with mast mounting bracket

### Specifications

Model	TDJ-D2400BFC-H60V30
Freq.Range-MHz	2400 to 2500
Bandwidth-MHz	100
Gain-dBi	11
Hor.Beamwidth-°	60
Ver.Beamwidth-°	30
F/B Ratio-dB	≥20
VSWR	≤1.5
Impedance-Ω	50
Polarization	Vertical and Horizontal
Maximum Power-W	50
Connector	N-K male or customized
Dimensions-mm	163×143×35
Weight-kg	0.6

### Installation Sketch



1. Antenna
2. Bracket
3. Connector
4. Pole  $\phi$  15-30mm