

TDJ-2400GAx2

Panel Antenna

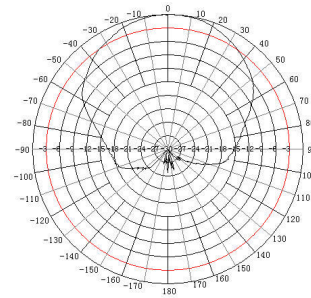
Technical Sheet



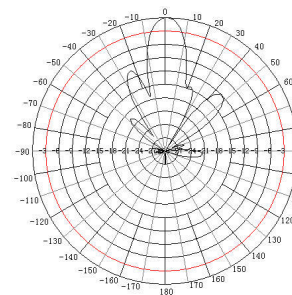
Applications

- 2.4GHz Wi-Fi system
- Wireless digital and image transmission
- Wireless public hotspot coverage
- Dual polarization operation

Typical Pattern



Horizontal Plane

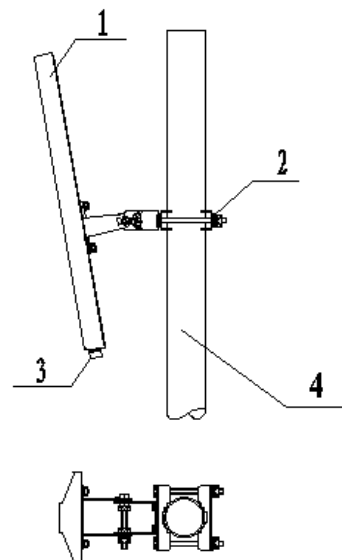


Vertical Plane

Specifications

Model	TDJ-2400GAx2
Frequency Range-MHz	2400 to 2483
Bandwidth-MHz	83
Gain-dBi	14
Horizontal Beamwidth-°	65
Vertical Beamwidth-°	18
F/B Ratio-dB	≥23
VSWR	≤1.5
Isolation-dB	≥28
Impedance-Ω	50
Polarization	Vertical / Horizontal
Maximum Power-W	100
Connector	N female
Dimensions-mm	454x137x30
Weight-Kg	0.8
Mast Diameter-mm	φ40 to φ65

Installation Sketch



1. Antenna
2. Down-tilt Bracket
3. Connector
4. Mounting Mast