

TDJ-2400BKC14

2.4GHz Panel Antenna

Technical Sheet



Applications

- 2.4GHz UNII Applications
- 2.4GHz ISM Applications
- 2.4GHz Wireless LAN Systems
- Support IEEE802.11a,g
- WiFi
- Wireless Internet Provider "cell" sites

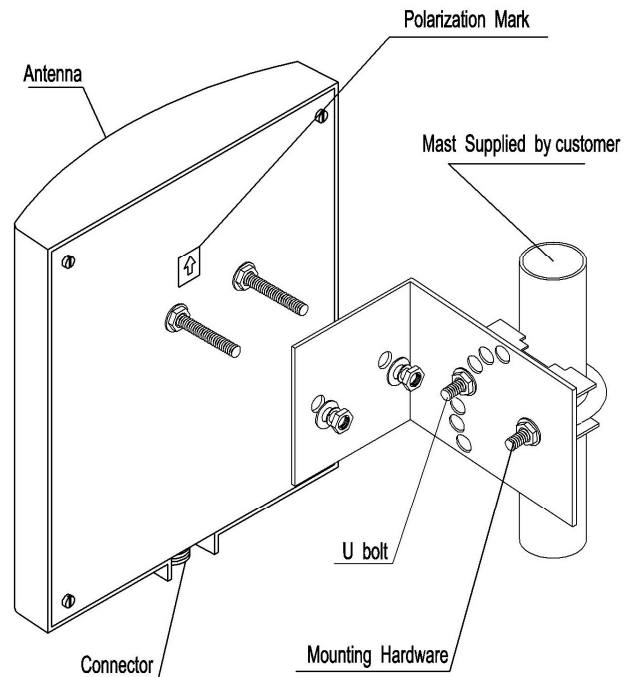
Features

- High gain
- Light Weight
- Compact Size
- DC Ground For Lightning Protection
- Supplied With a Tilt and swivel Mast Mount Kit

Specifications

Model	TDJ-2400BKC14
Freq. Range-MHz	2400~2500
Bandwidth-MHz	100
Gain-dBi	14
Vertical Beamwidth-°	28
Horizontal Beamwidth-°	30
F/B Ratio-dB	≥25
VSWR	≤1.5
Impedance-Ω	50
Polarization	Vertical
Max. Power-W	100
Connector Type	N Female
Dimension-mm	225×195×45
Weight-Kg	1.2
Pole Diameter-mm	φ 40~50

Install Sketch



TDJ - 2400BKC14 Antenna Mounting Sketch Map



Kenbotong Communication LTD.

Addr: Kenbotong Technology Park, No.2 Chanxiu Road, Foshan, Guangdong, China 528061
 Tel: +86-757-82219788, 82126632 Fax: +86-757-82212072
 Email: kbt@kenbotong.com web: <http://www.kenbotong.com>