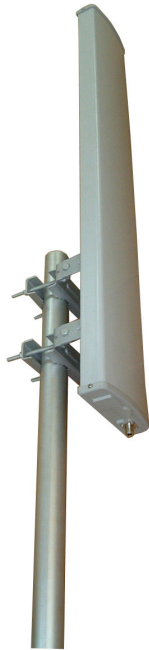


TQJ-2400H9

2.4GHz Horizontal Polarized

Omni-Directional Antenna

Technical Sheet



Applications

- 2.4 GHz WLAN System
- Point to Point System
- WiFi System

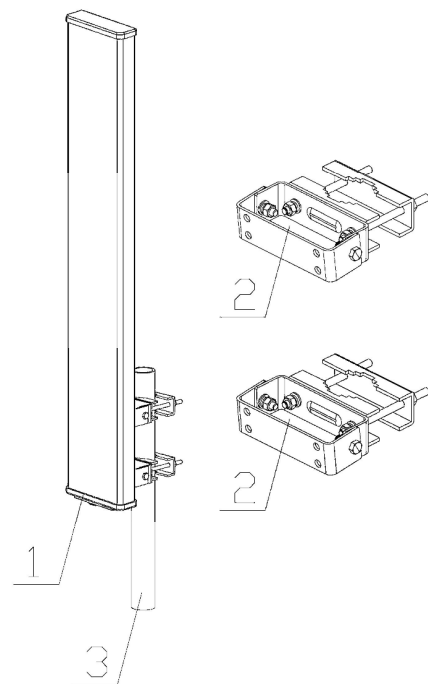
Features

- High Gain, Low VSWR
- 360° Coverage
- Corrosion Resistance

Specifications

Model	TQJ-2400H9
Freq.Range-MHz	2400 to 2483
Bandwidth-MHz	83
Gain-dBi	9
VSWR	≤1.5
Hor.Beamwidth-°	360
Ver.Beamwidth-°	14
Impedance-Ω	50
Polarization	Horizontal
Max.Power-W	100
Connector	N Female or Customized
Length-m	1.1
Weight-kg	7.5
Pole Diameter-mm	Φ50 to Φ90

Installation Sketch



1、 Antenna 2、 Bracket 3、 Mast by customer