

TDJ-1800SPL4

Grid Parabolic Antenna

Technical Sheet



Applications

- Spread spectrum communications system
- Long-distance transmission

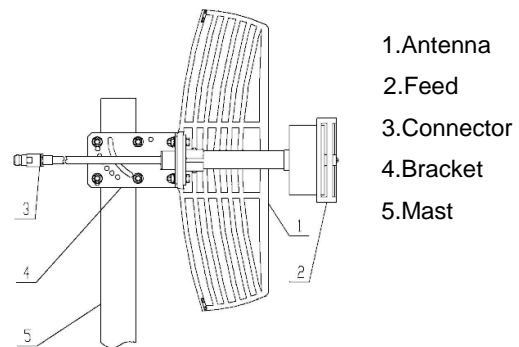
Features

- High gain, Low VSWR, High F/B ratio
- Small size, Easy to mount
- Die cast aluminum reflector
- UV stable coat finish
- Strong adaptability of environment
- Vertical or horizontal polarization mounting
- Supplied with downtilt & swivel bracket

Specifications

Model	TDJ-1800SPL4
Freq.Range-MHz	1710 to 1990
Bandwidth-MHz	170
Gain-dBi	13
VSWR	≤1.5
Ver. Beamwidth-°	30
Hor.Beamwidth-°	22
F/B Ratio-dB	≥20
Impedance-Ω	50
Polarization	Vertical or Horizontal
Max.Power-W	100
Lightning Protection	DC Grounded
Connector	N Female or customized
Dimensions-m	0.3×0.4
Weight-Kg	1.4
Mast Diameter-mm	φ 40 to 50

Installation Sketch



1. Antenna
2. Feed
3. Connector
4. Bracket
5. Mast

Installation Instruction

1. Assemble the reflector with two symmetrical parts.
2. Install the feed on the reflector as shown in the figure; ensure the feed dipole parallels the direction of most of the grid. When the dipole and the direction of most of the grid are vertical to the ground, the antenna is vertical polarization; when the dipole and the direction of most of the grid are parallel to the ground, the antenna is horizontal polarization.
3. Install the L bracket on the reflector, then fix the antenna on the user-provide mast as shown in the figure.
4. Test the receiving signal by instrument; adjust the azimuth and the elevation of the antenna to maximize the receiving signal. Tighten all the nuts and seal the connector of the antenna and the feed cable.

When the diameter of the mast is too big, you should select special brackets to fix the antenna.