

## Antenna Panel da Palo Sheda Tecnica



### Applicazioni:

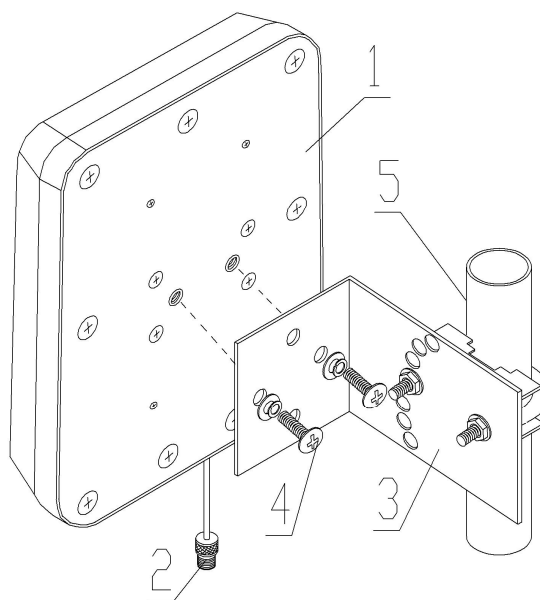
- CDMA800/GSM900/3G/WLAN /WIFI
- 800~960/1710~2700MHz Band
- Outdoor coverage system

### Careatteristiche:

- Broad band, Cover 800~2700MHz common system
- Light weight, small size
- UV stable ABS radome



### Installation Sketch



1. Antenna                      2. Connector                      3. Bracket  
4. Mounting Screws                      5. Mast (supplied by customer)

Model	Antenna Panel da Palo		
Freq. Range-MHz	800~960	1710~2500	2500~2700
Gain-dBi	7	10	10
Beamwidth-°	E:55 H:70	E:45 H:60	E:45 H:60
VSWR	≤1.5		
Impedance-Ω	50		
Polarization	Vertical		
Max. Power-W	50		
Connector	N Female or customized		
Dimension-mm	210×180×44		
Weight-Kg	0.72		
Color	White		
Mounting	Wall mounting		