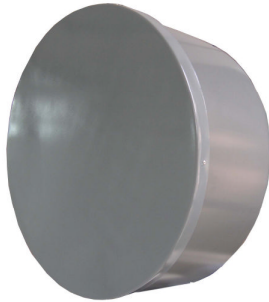


KBTMW127P06

Microwave Parabolic Antenna Technical Sheet



Note: The picture is for reference only,
the actual item is the standard.

Specifications

Model	KBTMW127P06
Freq.Range (GHz)	12.75~13.25
Gain (dBi)	35
Beamwidth (°)	2.7
F/B Ratio(dB)	≥56
VSWR	≤1.3
Input Impedance (Ω)	50
Polarization	Vertical or horizontal
Cross-polar Discrimination (dB)	30
Input interface	PDR140(nec-odu)
Antenna Diameter-(cm)	φ 60
Weight(kg)	12.4
Azimuth adjustment(°)	360
Elevation adjustment (°)	±10
Working humidity (°C)	-40~+60
Rated Wind Velocity(km/h)	Working 125km/h Max 200km/h
Ice thickness (mm)	≥10
Mast diameter(mm)	φ 50~114

Applications

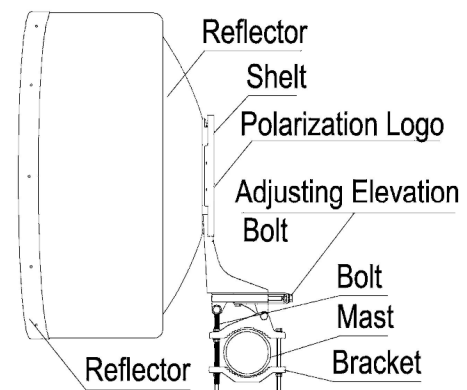
- Microwave radio relay communication
- Point-to-point data link
- Mobile communication base station microwave transmission

Features

- High gain, Low VSWR, in favor of beam transmission
- High front-to-back ratio, small interference, reliable performance
- High frequency ,high channel capacity
- high-strength aluminium alloy reflecting surface, high anti-wind capability
- With anti-aging coating and protective cover , it effectively protect the radiator and reflection ,and improve the protective ability.
- Can be vertically or horizontally installed .Polarization can be changed for convenience

With adjustable angle mounting, it can adjust the elevation roughly and nicely. Allocate precisely for convenience

Installation Sketch



Installation Instruction: 1、 Assemble the feeder to the installation bracket, and adjust the polarization mark of feeder and installation bracket. 2、 Install the antenna on the holding pole with the mounting kids, adjust the direction, tighten the nut, makes the antenna fixed around the holding pole (Note: the side with osculum around the reflector should be downward) .3、 Adjust direction、 elevation and nut, make the antenna aim at the direction that with maximal signal and require to cover. 4、 Aim at the waveguide end of antenna and equipment, fix the equipment to the installation bracket, and be careful of water and moisture resistant .