



Electrical Downtilt Directional 3300-3600MHz*2 65° 13dBi 0° Panel Antenna

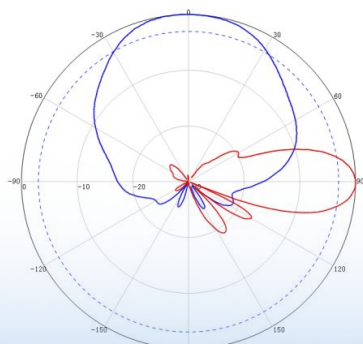
KBT65DP1313-3336AT0

Electrical specifications	BASTA Standard
Frequency range (MHz)	3300-3600
Polarization	±45°
Gain (dBi)	13.9±0.5
Electrical Downtilt (°)	0
HBW (°)	65±5
VBW (°)	16.6±0.8
Front-to-back ratio (dB)	≥25
Cross-polar discrimination (dB)	≥15 (±60° ≥8)
Isolation Intra-system (dB)	≥25
Isolation Inter-system (dB)	≥25
Impedance (Ω)	50
VSWR	≤1.5
Intermodulation IM3 (2×33dBm carrier)	≤-150 dBc
Maximum power (W)	125
Lighting protection	DC Grounding

Values based on NGMN recommendations on Base Station Antenna Standards(BASTA V10.0)

Mechanical specifications	
Connector	4*N male
Connector position	Bottom
Height/width/depth (mm)	340*160*81
Packing size (mm)	460*245*215
AntennaWeight (Kg)	2.1(Bracket included)
Radome material	UPVC
Radome color	Gray
Mechanical tilt(°)	±15
Operating temperature (°C)	-40-60
Rated wind velocity (m/s)	60
Suitable pole diameter (mm)	Φ35-Φ76
Mounting kit	JM-2400RZ1

3300-3600MHz: ±45° Pol.



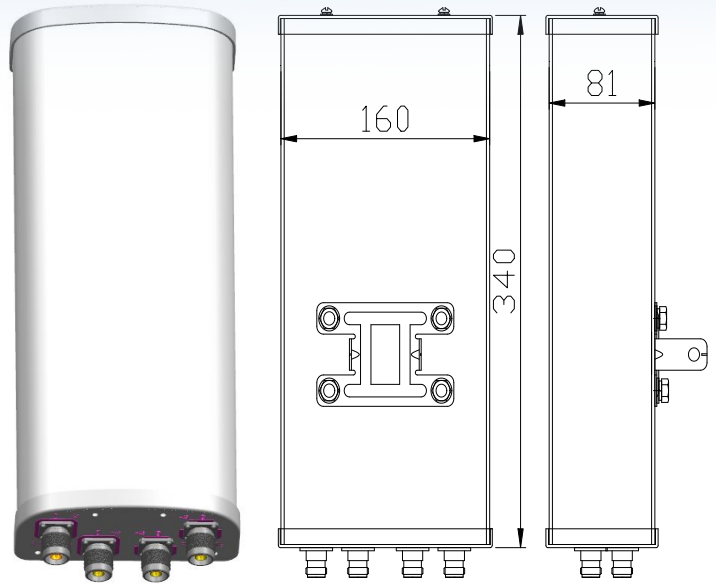
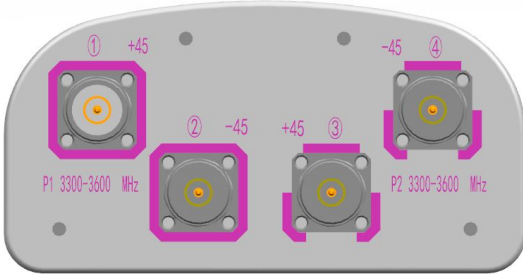
5Tacche è il marchio di Telecomsatitalia srl
 080 397 57 86 P.IVA:06599340723
www.5tacche.it

MAI PIU' SENZA SEGNALE!



**Electrical Downtilt Directional
3300-3600MHz*2 65° 13dBi 0° Panel Antenna
Appearance drawing**

Connector Position



Installation Sketch

