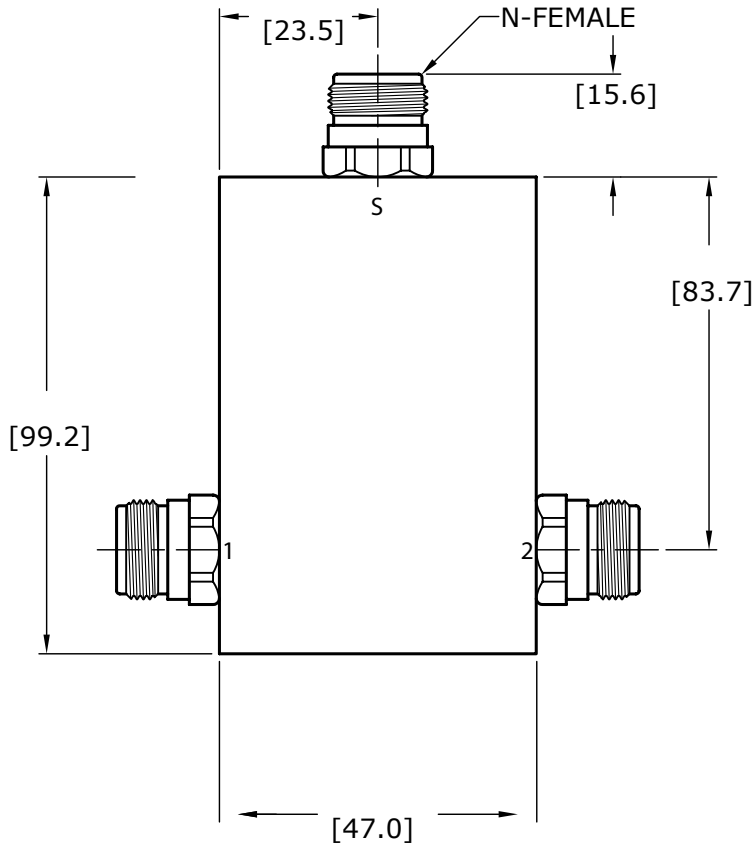
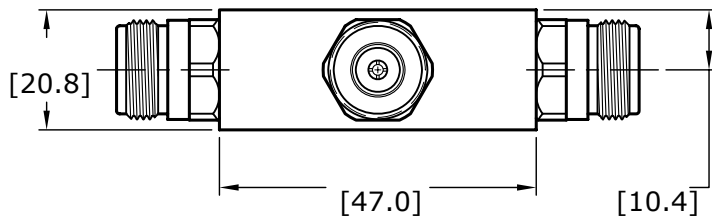


ELECTRICAL SPECIFICATIONS:

- 1.) FREQUENCY RANGE: 800 - 2500 MHz
- 2.) IMPEDANCE: 50 OHMS
- 3.) INSERTION LOSS (Including Dividing Loss): ≤ 3.5 dB
- 4.) AMPLITUDE BALANCE (MAX): 0.2 dB
- 5.) PHASE BALANCE (MAX): 2 DEGREES
-Female
- 6.) ISOLATION (MIN): ≥ 20 dB
- 7.) VSWR : ≤ 1.4

MECHANICAL SPECIFICATIONS:

- 1.) CONNECTORS: TYPE-N FEMALE , 50 OHM
- 2.) MATERIAL/FINISH:
 - A.) CONNECTOR BODY: BRASS, TRI-ALLOY PLATE, TARNISH RESISTANT & LOW PIM
 - B.) CONNECTOR PIN: PHOSPHOR BRONZE, GOLD PLATE
 - C.) INSULATOR: PTFE, VIRGIN ELECTRICAL GRADE
 - D.) HOUSING: ALUMINUM, YELLOW IRIDITE
- 3.) OPERATING TEMP: -30°C TO +60°C
- 4.) WEIGHT: 240 GRAMS



| TOLERANCES | |
|----------------|----------------|
| INCHES | MILLIMETERS |
| .00 = ±.01 | .0 = ±.25 |
| .000 = ±.004 | .00 = ±.10 |
| DRAWN: MJD | APPROVED: EMM |
| DATE: 01/01/14 | DATE: 01/01/14 |

117X83X21

MODEL NO.
GFO-2-0825

SPLITTER 2 VIE

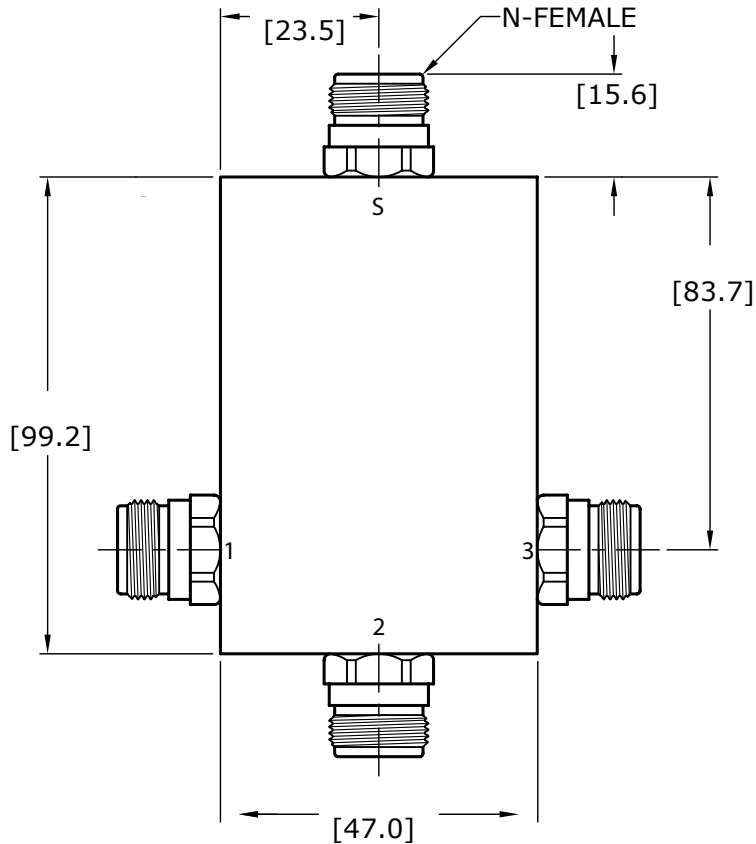
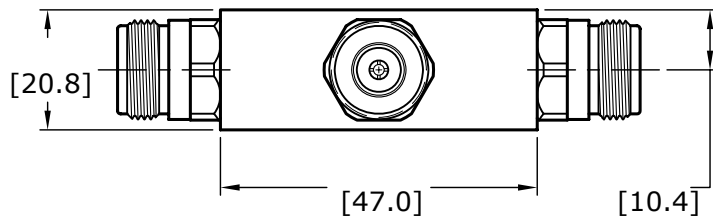
| REV | DESCRIPTION | BY | DATE |
|-----|-------------|----|------|
| | | | |

ELECTRICAL SPECIFICATIONS:

- 1.) FREQUENCY RANGE: 800 - 2500 MHz
- 2.) IMPEDANCE: 50 OHMS
- 3.) INSERTION LOSS (Including Dividing Loss): ≤ 5.4 dB
- 4.) AMPLITUDE BALANCE (MAX): 0.3 dB
- 5.) PHASE BALANCE (MAX): 4 DEGREES
- 6.) ISOLATION (MIN): ≥ 20 dB
- 7.) VSWR : ≤ 1.4

MECHANICAL SPECIFICATIONS:

- 1.) CONNECTORS: TYPE-N FEMALE , 50 OHM
- 2.) MATERIAL/FINISH:
 - A.) CONNECTOR BODY: BRASS, TRI-ALLOY PLATE, TARNISH RESISTANT & LOW PIM
 - B.) CONNECTOR PIN: PHOSPHOR BRONZE, GOLD PLATE
 - C.) INSULATOR: PTFE, VIRGIN ELECTRICAL GRADE
 - D.) HOUSING: ALUMINUM, YELLOW IRIDITE
- 3.) OPERATING TEMP: -30°C TO +60°C
- 4.) WEIGHT: 245 GRAMS



| TOLERANCES | |
|----------------|----------------|
| INCHES | MILLIMETERS |
| .00 = ±.01 | .0 = ±.25 |
| .000 = ±.004 | .00 = ±.10 |
| DRAWN: MJD | APPROVED: EMM |
| DATE: 01/01/14 | DATE: 01/01/14 |

135X83X21

MODEL NO.
GFO-3-0825

SPLITTER 3 VIE

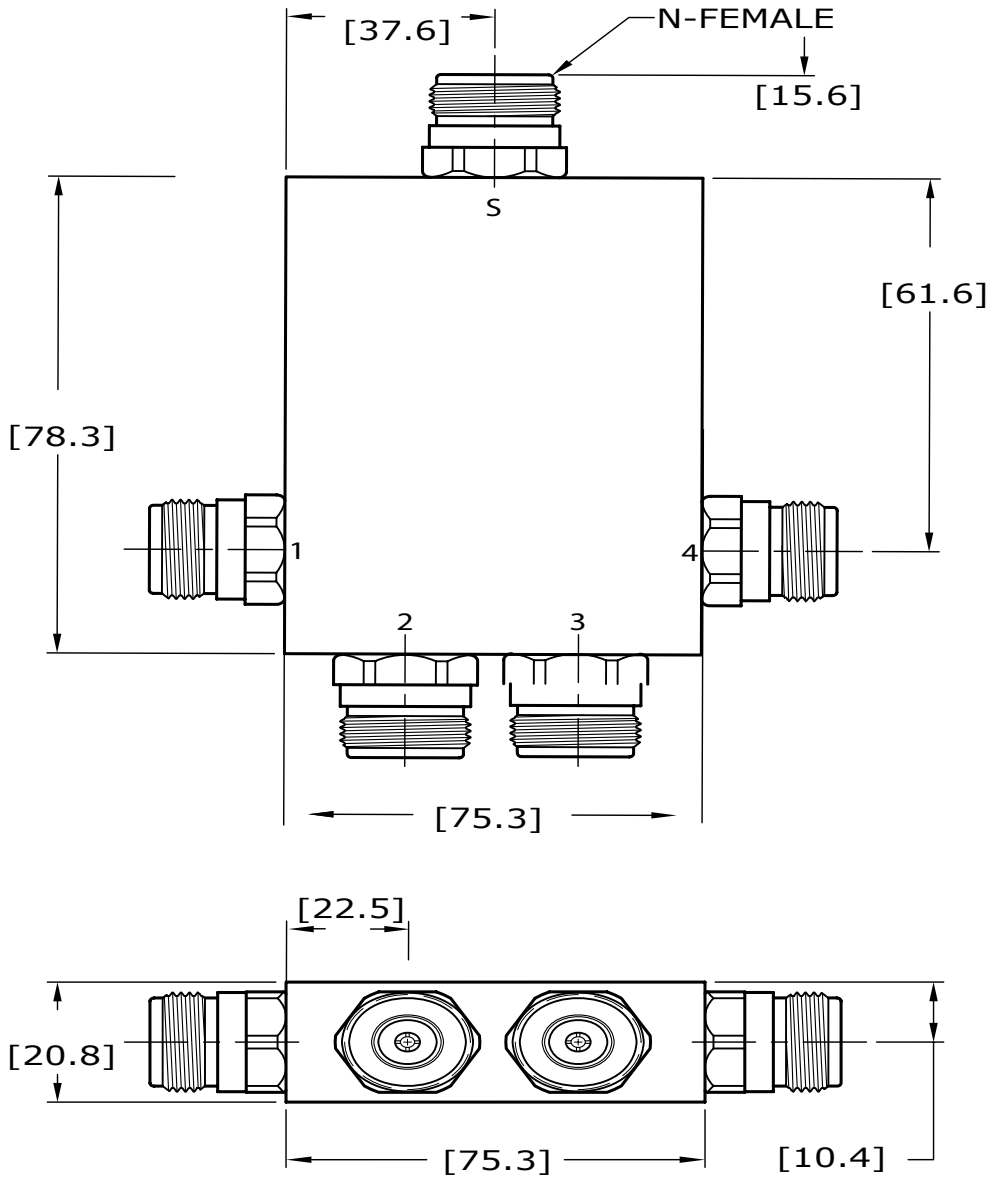
| REV | DESCRIPTION | BY | DATE |
|-----|-------------|----|------|
| | | | |

ELECTRICAL SPECIFICATIONS:

- 1.) FREQUENCY RANGE: 800 - 2500 MHz
- 2.) IMPEDANCE: 50 OHMS
- 3.) INSERTION LOSS (Including Dividing Loss): ≤ 6.6 dB
- 4.) AMPLITUDE BALANCE (MAX): 0.3 dB
- 5.) PHASE BALANCE (MAX): 4 DEGREES
- 6.) ISOLATION (MIN): ≥ 20 dB
- 7.) VSWR : ≤ 1.4

MECHANICAL SPECIFICATIONS:

- 1.) CONNECTORS: TYPE-N FEMALE , 50 OHM
- 2.) MATERIAL/FINISH:
 - A.) CONNECTOR BODY: BRASS, TRI-ALLOY PLATE, TARNISH RESISTANT & LOW PIM
 - B.) CONNECTOR PIN: PHOSPHOR BRONZE, GOLD PLATE
 - C.) INSULATOR: PTFE, VIRGIN ELECTRICAL GRADE
 - D.) HOUSING: ALUMINUM, YELLOW IRIDITE
- 3.) OPERATING TEMP: -30°C TO +60°C
- 4.) WEIGHT: 330 GRAMS



| REV | DESCRIPTION | BY | DATE |
|-----|-------------|----|------|
| | | | |

| TOLERANCES | |
|----------------|----------------|
| INCHES | MILLIMETERS |
| .00 = ±.01 | .0 = ±.25 |
| .000 = ±.004 | .00 = ±.10 |
| DRAWN: MJD | APPROVED: EMM |
| DATE: 01/01/14 | DATE: 01/01/14 |

115X112X21

MODEL NO.
Gfq-4-0825

SPLITTER 4 VIE